



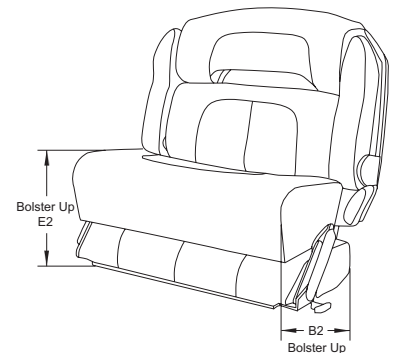
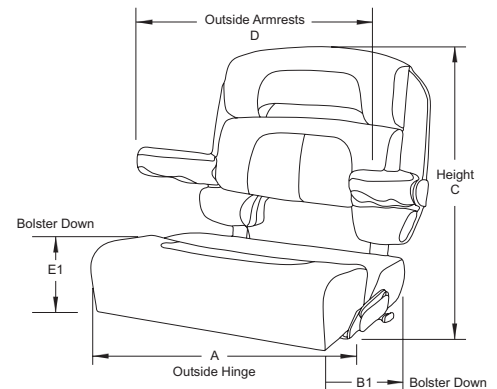
CAPRI HELM CHAIR "DELUXE"



Designed with comfort and versatility in mind, the Capri Helm Chair "Deluxe" features adjustable armrests and bolster, allowing the chair to act as a seat or a leaning post - a necessity for the boaters' lifestyle. Only using Type-316L marine-grade stainless-steel hardware, this chair is engineered with a unique shield that secures the bolster in place, which prevents it from flipping down - ultimately eliminating dangerous pinch points.

FEATURES & BENEFITS

- Ideal for boats up to 50'
- Includes adjustable armrests and bolster (armrests not included on 23-inch model)
- Premium quality vinyl fabrics
- Plush foam padding
- Universal hole pattern (on 23- and 25-inch models) will fit most spider mounts, seat slides & pedestals in the market
- Flexible, ergonomic design
- Meets ABYC H-31 impact test
- Stainless-steel-cast armrest brackets
- Stainless-steel roll-back seat hinge with shield
- Durable fiberglass seat back
- Roll-back seat bolster for quick repositioning and helm access
- Custom vinyl options available for OEM boat builders
- Available in three sizes: 23," 25" and 28"



PART NUMBER	DESCRIPTION	A	B1	B2	C	D	E1	E2
HA2-23WHA-7-0000-0-0	23" Helm Chair, White	23"	21"	12"	24"	N/A	6-1/2"	11"
HA1-25WHA-7-0000-0-0	25" Helm Chair, White	25"	21"	12"	25"	24-1/2"	6-1/2"	11"
HA1-28WHA-7-0000-0-0	28" Helm Chair, White	28"	21"	12"	25"	27-1/2"	6-1/2"	11"